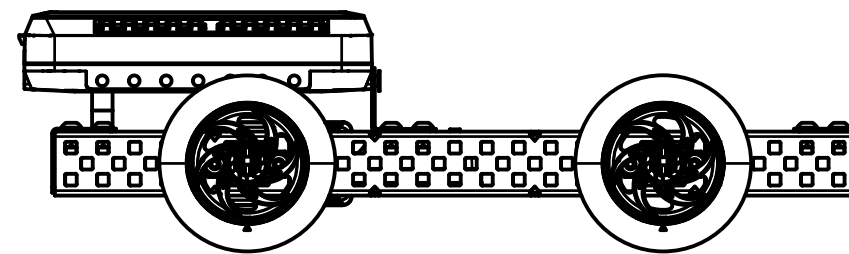
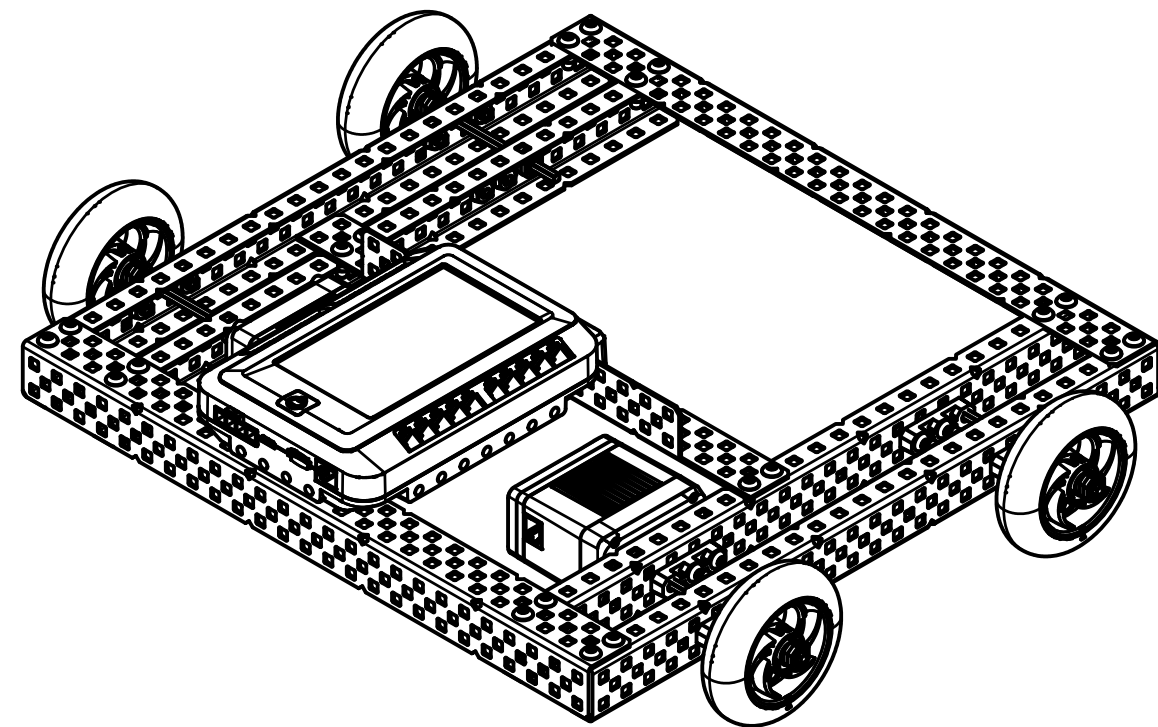
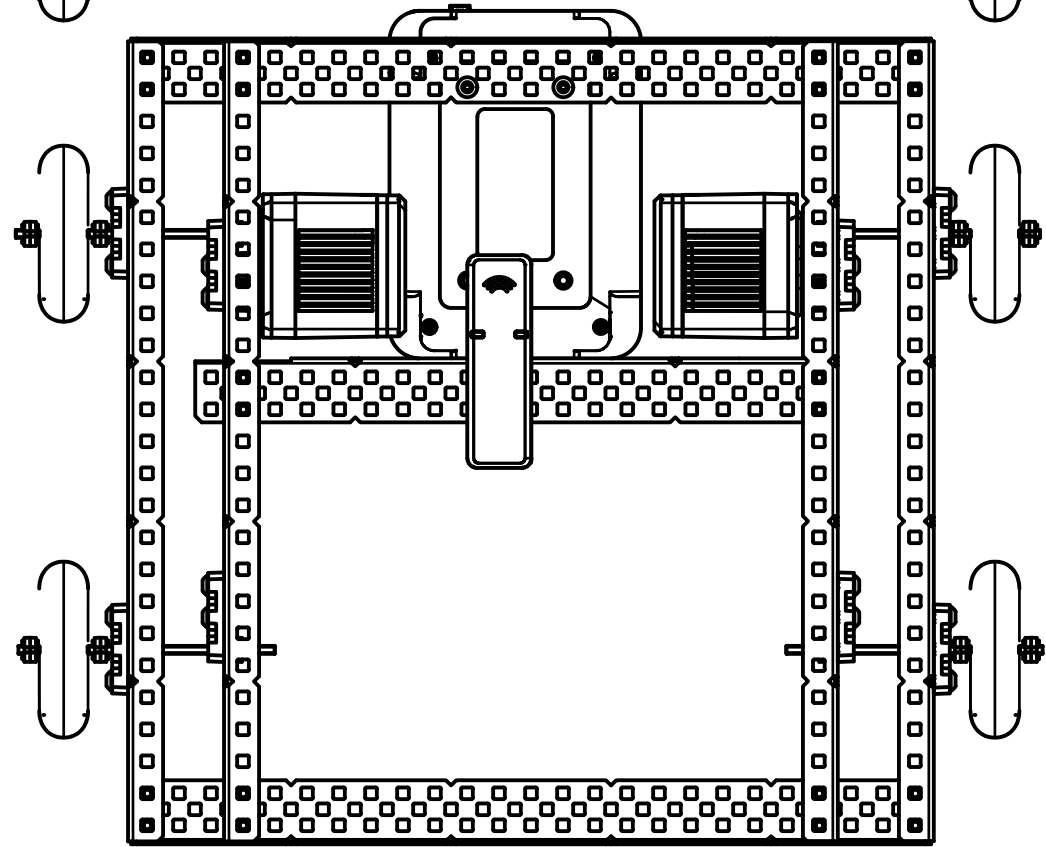
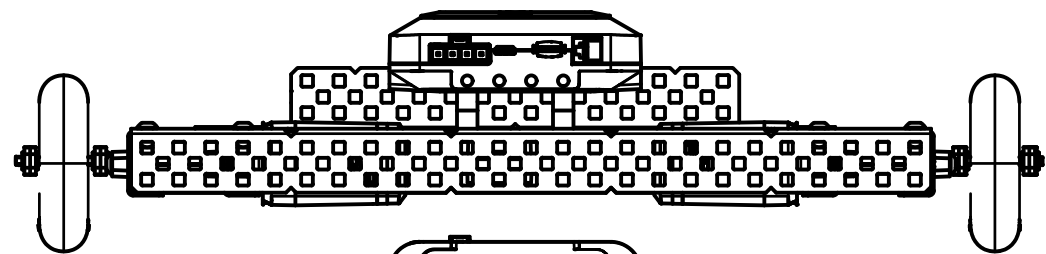
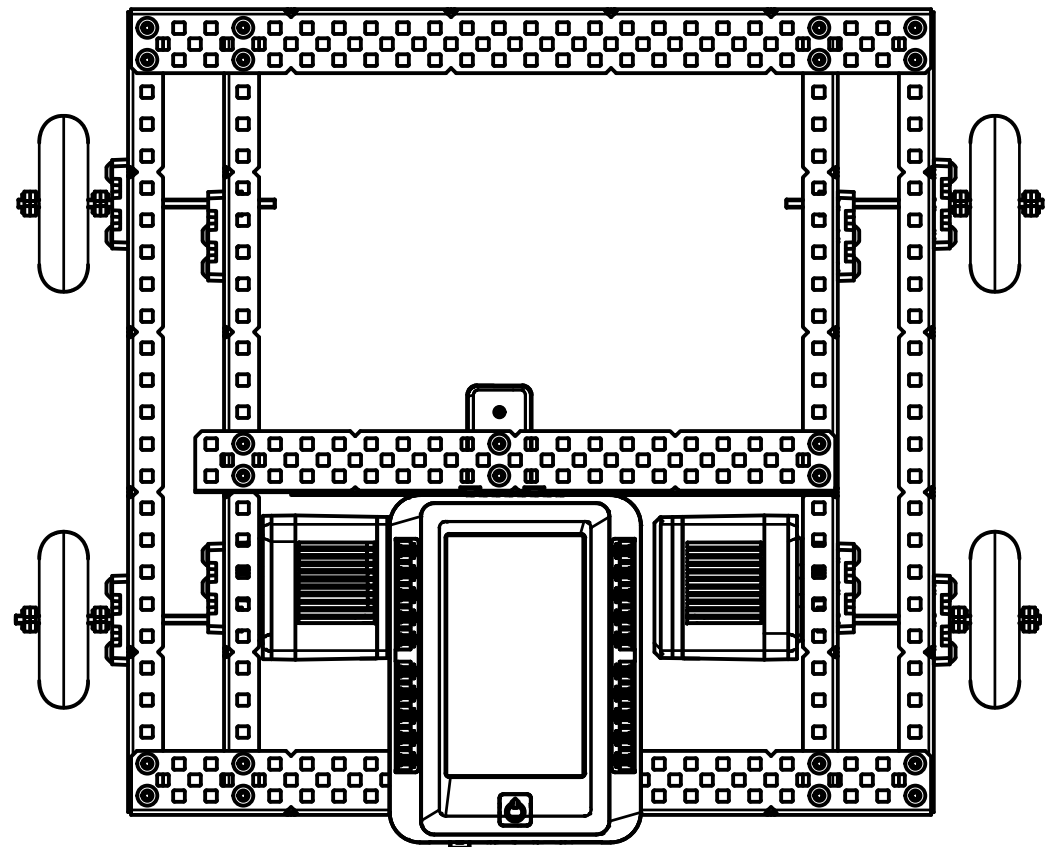
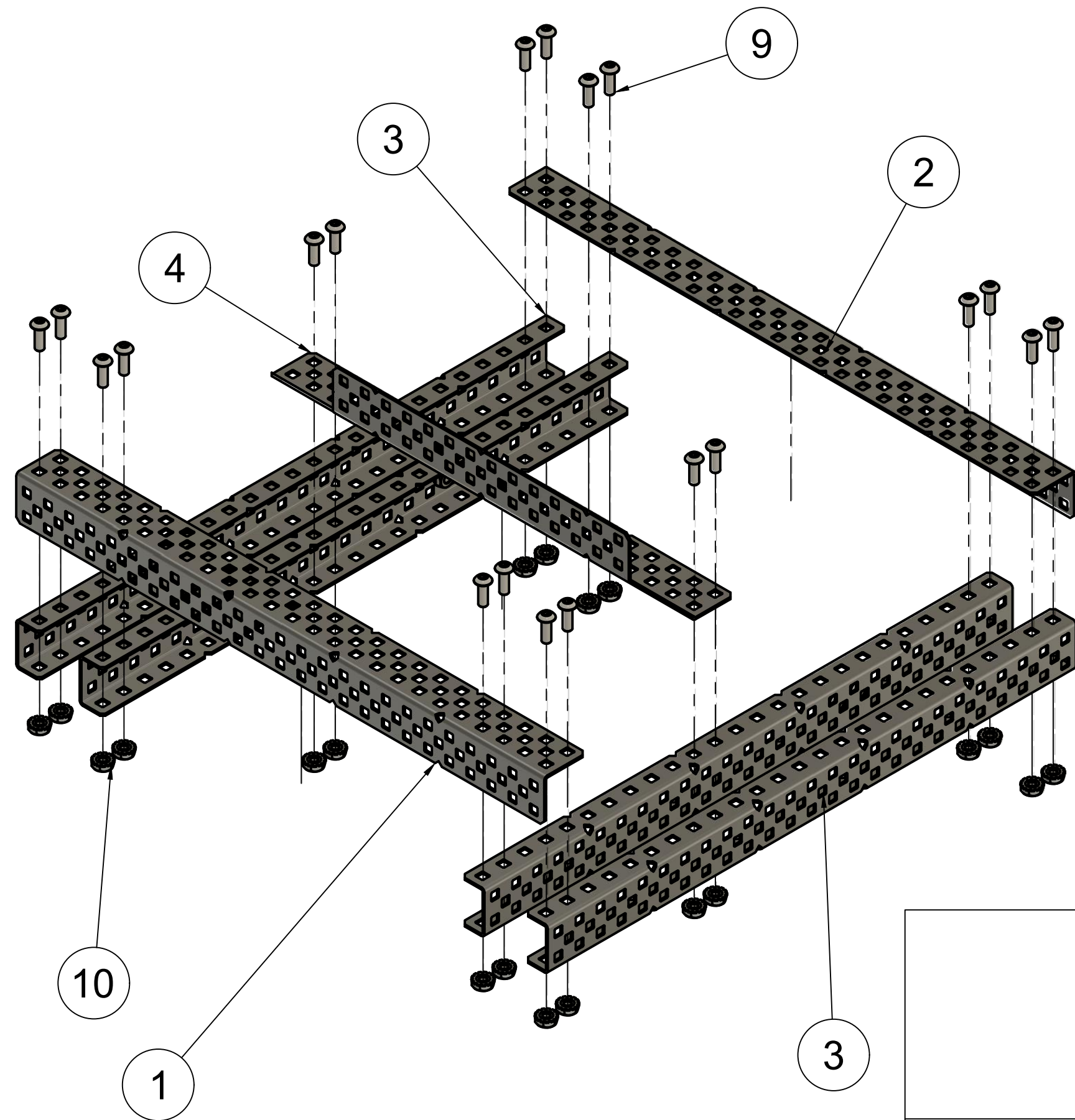


| PARTS LIST | | |
|------------|-----|--|
| ITEM | QTY | PART NUMBER |
| 1 | 1 | 2X2X25_STEEL_ANGLE_275-1142 V1 |
| 2 | 1 | 2X2X25_STEEL_ANGLE_275-1142 V1:2 |
| 3 | 4 | 1X2X1X25_STEEL_C-CHANNEL_275-1138 V3 |
| 4 | 1 | 2X2X14X20_STEEL_ANGLE_999-1142 V1 |
| 5 | 8 | FLAT_BEARING_276-1209 V2 |
| 6 | 1 | V5_ROBOT_RADIO_276-4831 V1 |
| 7 | 2 | V5_SMART_MOTOR_276-4840 V1 |
| 8 | 1 | V5_ROBOT_BRAIN_276-4810 V1 |
| 9 | 38 | _8-32_X_1_2_STAR_DRIVE_SCREW_276-4992 V1 |
| 10 | 32 | _8-32_KEPS_NUT_275-1026 V1 |
| 11 | 4 | 276-2012 4IN SHAFT V2 |
| 12 | 12 | RUBBER_SHAFT_COLLAR_228-3510 V1 |
| 13 | 4 | 276-2019-001 8MM PLASTIC SPACER.F3D V1 |
| 14 | 2 | _8-32_X_3_4_STAR_DRIVE_SCREW_276-4994 V1 |
| 15 | 2 | 0X2 CONNECTOR PIN V2 |
| 16 | 4 | 276-1496-000 2.75IN WHEEL.F3D V1 |

| | | | | |
|----------|---|-----------|-------------|-----------|
| | PROJECT | | | |
| | Mechanical Foundations | | | |
| | TITLE | | | |
| | Drivetrain Frame 2 Motors 2.75 Traction Wheels | | | |
| APPROVED | SIZE | CODE | DWG NO | REV |
| CHECKED | B | | | |
| DRAWN | Curtis Sobien | 8/13/2019 | SCALE 1:1.5 | WEIGHT |
| | | | | SHEET 1/5 |

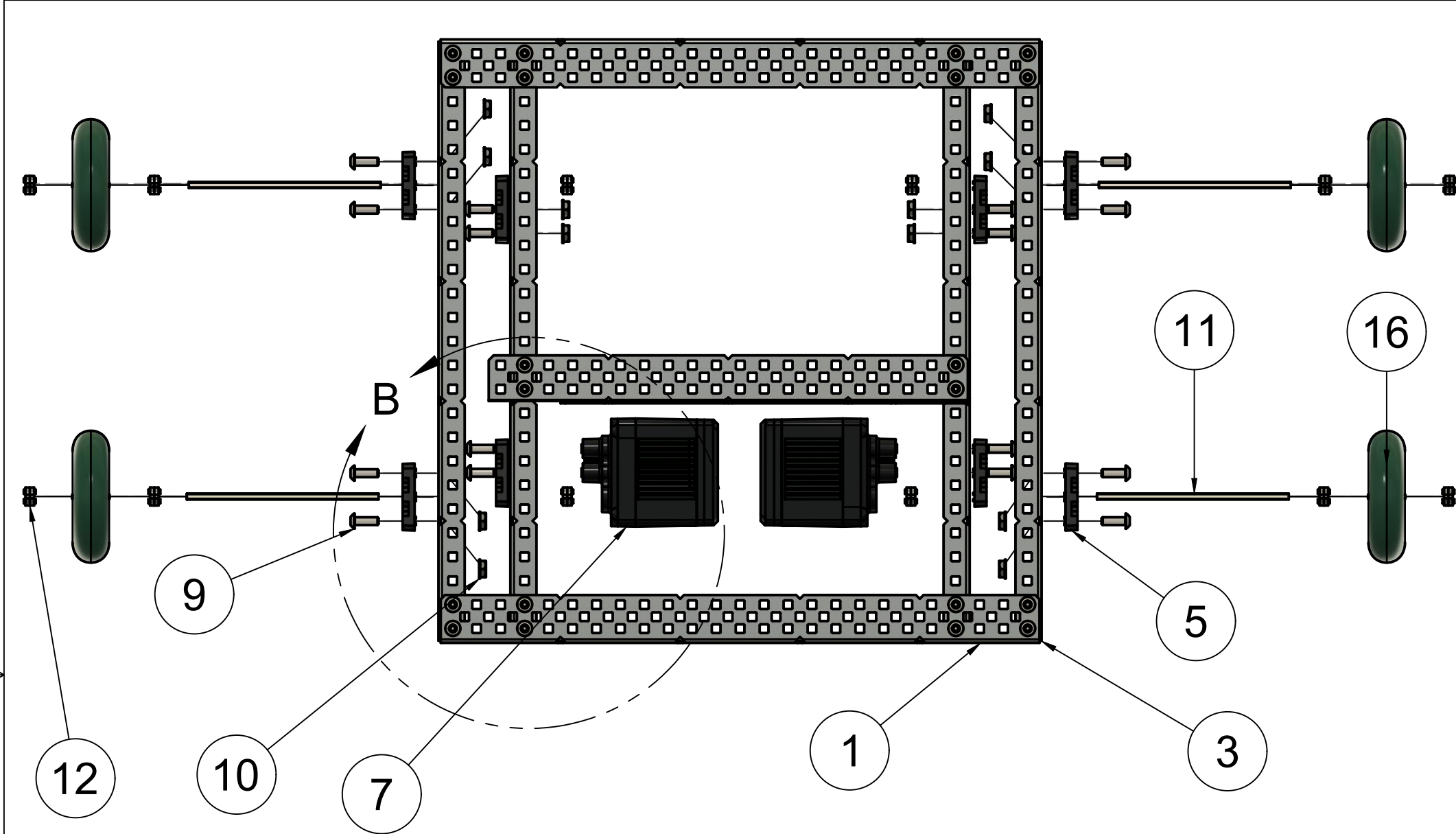


| | | | | |
|----------|---------------|--|-------------|-----------|
| | | PROJECT | | |
| | | Mechanical Foundations | | |
| | | TITLE | | |
| | | Drivetrain Frame 2 Motors 2.75 Traction Wheels | | |
| APPROVED | SIZE | CODE | DWG NO | REV |
| CHECKED | B | | | |
| DRAWN | Curtis Sobien | 8/13/2019 | SCALE 1:2.5 | WEIGHT |
| | | | | SHEET 2/5 |

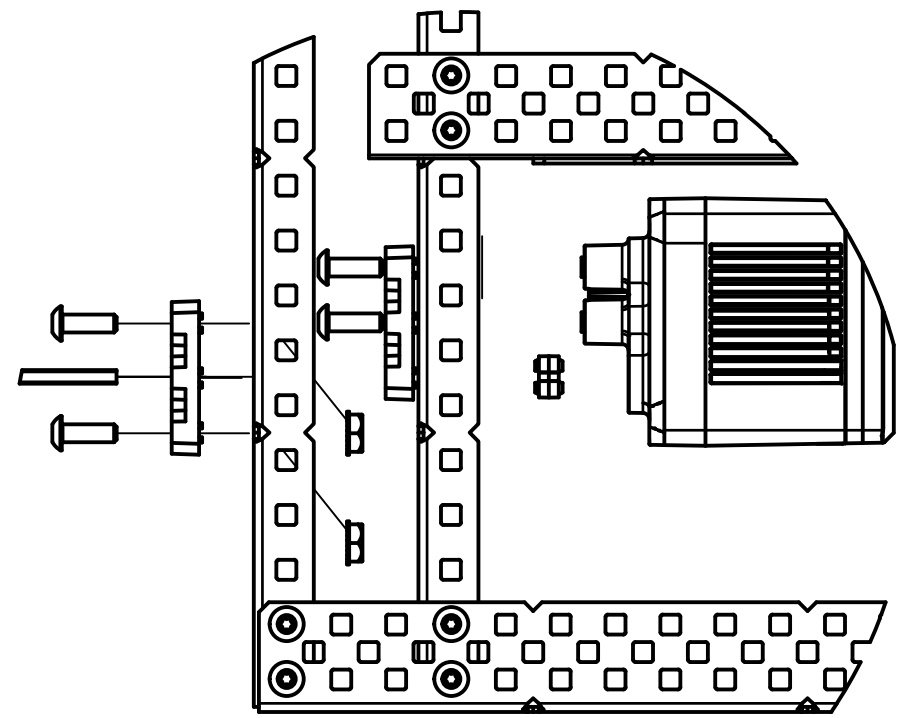


| PARTS LIST | | |
|------------|-----|--|
| ITEM | QTY | PART NUMBER |
| 1 | 1 | 2X2X25_STEEL_ANGLE_275-1142 V1 |
| 2 | 1 | 2X2X25_STEEL_ANGLE_275-1142 V1:2 |
| 3 | 4 | 1X2X1X25_STEEL_C-CHANNEL_275-1138 V3 |
| 4 | 1 | 2X2X14X20_STEEL_ANGLE_999-1142 V1 |
| 5 | 8 | FLAT_BEARING_276-1209 V2 |
| 6 | 1 | V5_ROBOT_RADIO_276-4831 V1 |
| 7 | 2 | V5_SMART_MOTOR_276-4840 V1 |
| 8 | 1 | V5_ROBOT_BRAIN_276-4810 V1 |
| 9 | 38 | _8-32_X_1_2_STAR_DRIVE_SCREW_276-4992 V1 |
| 10 | 32 | _8-32_KEPS_NUT_275-1026 V1 |
| 11 | 4 | 276-2012 4IN SHAFT V2 |
| 12 | 12 | RUBBER_SHAFT_COLLAR_228-3510 V1 |
| 13 | 4 | 276-2019-001 8MM PLASTIC SPACER.F3D V1 |
| 14 | 2 | _8-32_X_3_4_STAR_DRIVE_SCREW_276-4994 V1 |
| 15 | 2 | 0X2 CONNECTOR PIN V2 |
| 16 | 4 | 276-1496-000 2.75IN WHEEL.F3D V1 |

| | | | |
|---|---------------|-----------|-----------|
| PROJECT | | | |
| Mechanical Foundations | | | |
| TITLE | | | |
| Drivetrain Frame 2 Motors 2.75 Traction Wheels | | | |
| APPROVED | SIZE | CODE | DWG NO |
| CHECKED | B | | |
| DRAWN | Curtis Sobien | 8/13/2019 | SCALE 1:2 |
| | | WEIGHT | SHEET 3/5 |

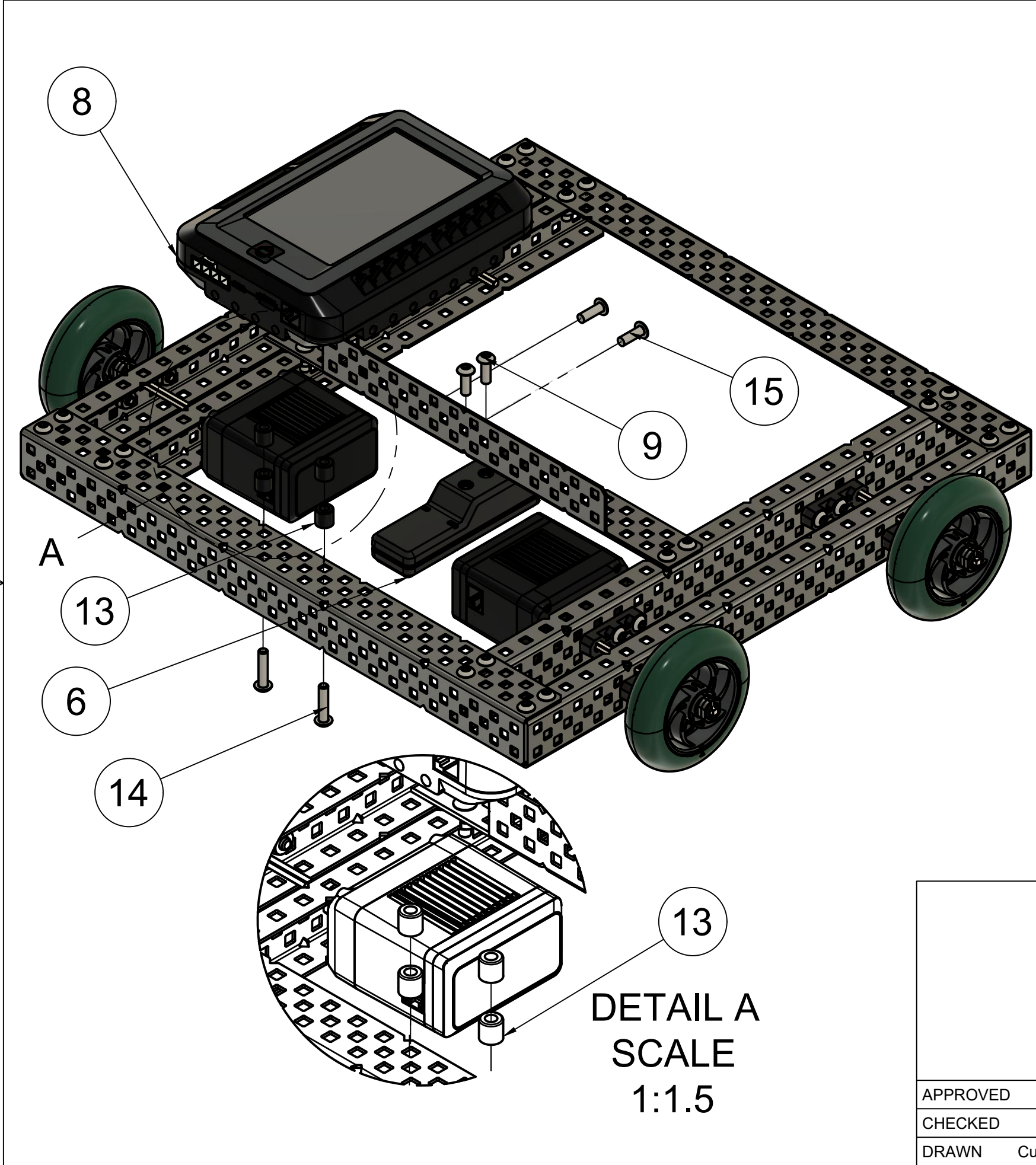


| PARTS LIST | | |
|------------|-----|--|
| ITEM | QTY | PART NUMBER |
| 1 | 1 | 2X2X25_STEEL_ANGLE_275-1142 V1 |
| 2 | 1 | 2X2X25_STEEL_ANGLE_275-1142 V1:2 |
| 3 | 4 | 1X2X1X25_STEEL_C-CHANNEL_275-1138 V3 |
| 4 | 1 | 2X2X14X20_STEEL_ANGLE_999-1142 V1 |
| 5 | 8 | FLAT_BEARING_276-1209 V2 |
| 6 | 1 | V5_ROBOT_RADIO_276-4831 V1 |
| 7 | 2 | V5_SMART_MOTOR_276-4840 V1 |
| 8 | 1 | V5_ROBOT_BRAIN_276-4810 V1 |
| 9 | 38 | _8-32_X_1_2_STAR_DRIVE_SCREW_276-4992 V1 |
| 10 | 32 | _8-32_KEPS_NUT_275-1026 V1 |
| 11 | 4 | 276-2012 4IN SHAFT V2 |
| 12 | 12 | RUBBER_SHAFT_COLLAR_228-3510 V1 |
| 13 | 4 | 276-2019-001 8MM PLASTIC SPACER.F3D V1 |
| 14 | 2 | _8-32_X_3_4_STAR_DRIVE_SCREW_276-4994 V1 |
| 15 | 2 | 0X2 CONNECTOR PIN V2 |
| 16 | 4 | 276-1496-000 2.75IN WHEEL.F3D V1 |



DETAIL B
SCALE 1:1.75

| | | | | |
|----------|---------------|---|-----------|-----------|
| PROJECT | | Mechanical Foundations | | |
| TITLE | | Drivetrain Frame 2 Motors 2.75 Traction Wheels | | |
| APPROVED | SIZE | CODE | DWG NO | REV |
| CHECKED | B | | | |
| DRAWN | Curtis Sobien | 8/13/2019 | SCALE 1:2 | WEIGHT |
| | | | | SHEET 4/5 |



| PARTS LIST | | |
|------------|-----|--|
| ITEM | QTY | PART NUMBER |
| 1 | 1 | 2X2X25_STEEL_ANGLE_275-1142 V1 |
| 2 | 1 | 2X2X25_STEEL_ANGLE_275-1142 V1:2 |
| 3 | 4 | 1X2X1X25_STEEL_C-CHANNEL_275-1138 V3 |
| 4 | 1 | 2X2X14X20_STEEL_ANGLE_999-1142 V1 |
| 5 | 8 | FLAT_BEARING_276-1209 V2 |
| 6 | 1 | V5_ROBOT_RADIO_276-4831 V1 |
| 7 | 2 | V5_SMART_MOTOR_276-4840 V1 |
| 8 | 1 | V5_ROBOT_BRAIN_276-4810 V1 |
| 9 | 38 | _8-32_X_1_2_STAR_DRIVE_SCREW_276-4992 V1 |
| 10 | 32 | _8-32_KEPS_NUT_275-1026 V1 |
| 11 | 4 | 276-2012 4IN SHAFT V2 |
| 12 | 12 | RUBBER_SHAFT_COLLAR_228-3510 V1 |
| 13 | 4 | 276-2019-001 8MM PLASTIC SPACER.F3D V1 |
| 14 | 2 | _8-32_X_3_4_STAR_DRIVE_SCREW_276-4994 V1 |
| 15 | 2 | 0X2 CONNECTOR PIN V2 |
| 16 | 4 | 276-1496-000 2.75IN WHEEL.F3D V1 |

| | | | | |
|----------|---------------|--|-----------|-----------|
| PROJECT | | Mechanical Foundations | | |
| TITLE | | Drivetrain Frame 2 Motors 2.75 Traction Wheels | | |
| APPROVED | SIZE | CODE | DWG NO | REV |
| CHECKED | B | | | |
| DRAWN | Curtis Sobien | 8/13/2019 | SCALE 1:2 | WEIGHT |
| | | | | SHEET 5/5 |

13
 DETAIL A
 SCALE
 1:1.5